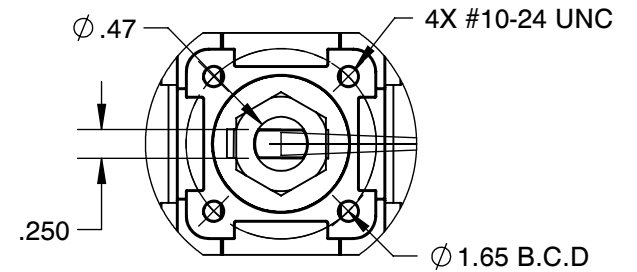
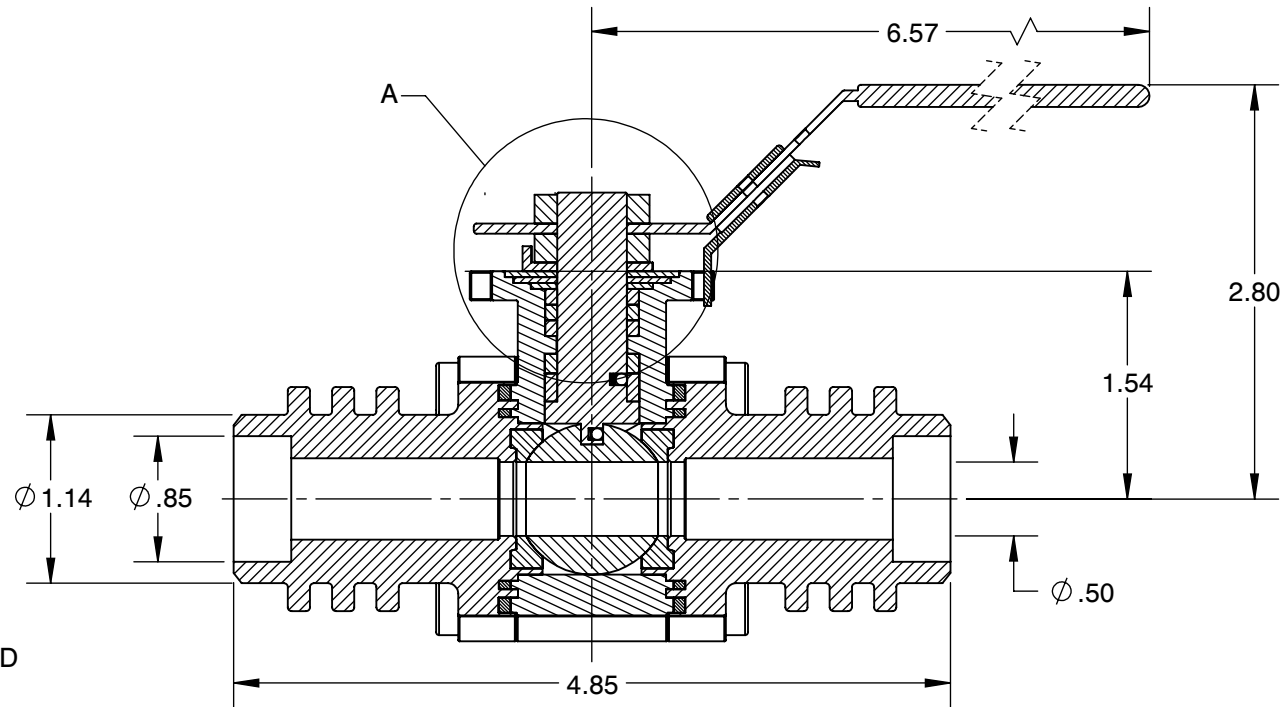


DETAIL A



MOUNTING DIMENSIONS



NOTES :

1. VALVE SIZE : 1/2"
2. PORT SIZE : REDUCED PORT
3. END CONNECTION : SOCKET WELD
4. WEIGHT : 3 LBS
5. Cv : 18

COMPONENT		BALL VALVES	
1/2-WR-W3E 3000 WOG W SERIES 3-Piece Ball Valves		UNIT	
		INCH	
		SIZE	
		A	



6910 West Ridge Road
Fairview, PA 16415, USA
Phone: (814) 474-2666
Web: www.jareckivalves.net
Email: sales@jareckivalves.net

THE INFORMATION CONTAINED HEREIN SHALL BE CONSIDERED THE SOLE PROPERTY OF JARECKI VALVES. THE RECIPIENT THEREOF AGREES NOT TO DISCLOSE SAID INFORMATION FOR ANY PURPOSE EXCEPT AS SPECIFIED BY JARECKI VALVES, BY WRITTEN PERMISSION.

Tolerances (Inch)
.xx = ± .01
.xxx = ± .005
x° = ± 1°
or As Note

SCALE

NTS

ORDERING INFORMATION


SIZE	- SERIES	PORT SIZE	SEAT	SEAT MATERIAL	BALL	BALL COATING	BODY	- CLASS	END CONNECTION
1/2" TO 4"	W	F FULL R REDUCED	0 NONMETAL 1 O SEAT 2 G SEAT 4 P SEAT 5 P SEAT > 750F 7 G SEAT UNI-DIRECTIONAL 1000 F MAX	C COLMONOY D DEVLON H ALLOY 25 P PEEK R CHROME CARBIDE S STELLITE T RTFE W TUNGSTEN CARBIDE	A 316SST F HASTELLOY G INCOLOY H ALLOY 20 I MONEL X 2205 SST	B BORONIZING C CHROME E ENP L COLMONOY R CHROME CARBIDE W TUNGSTEN CARBIDE	A CF8M B WCB H Alloy 20 X 2205 SST	W1 1500 WOG W2 2250 WOG/ANSI 600# W3 3000 WOG/ANSI 600# W4 4500 WOG/ANSI 900#/1500#	A THREADED B FLANGED D BUTT WELD J JIC E SOCKET WELD T TUBE S SWAGELOK C RTJ FLANGED

Example:

2"	W SERIES	FULL PORT	SPRING LOADED UNIDIRECTIONAL SEATS	STELLITE SEATS	316SS	CHROME	CF8M	2250 WOG	THREADED ENDS
2	- W	F	4	S	A	C	A	- W2	A

Ordering Information:

When placing an order or requesting a quotation, please provide as many details on the application as possible such as media type, temperature, pressure, pipe size, etc.

	6910 West Ridge Road Fairview, PA 16415, USA Phone: (814) 474-2666 Web: www.jareckivalves.net Email: sales@jareckivalves.net	THE INFORMATION CONTAINED HEREIN SHALL BE CONSIDERED THE SOLE PROPERTY OF JARECKI VALVES. THE RECIPIENT THEREIF AGREES NOT TO DISCLOSE SAID INFORMATION FOR ANY PURPOSE EXCEPT AS SPECIFIED BY JARECKI VALVES, BY WRITTEN PERMISSION.	Tolerances (Inch)		COMPONENT BALL VALVES			
			.xx = ± .01	.xxx = ± .005	1/2-WR-W3E 3000 WOG	x° = ± 1°	or As Note	UNIT
			SCALE	NTS		W SERIES 3-Piece Ball Valves		INCH
								SIZE
					A			