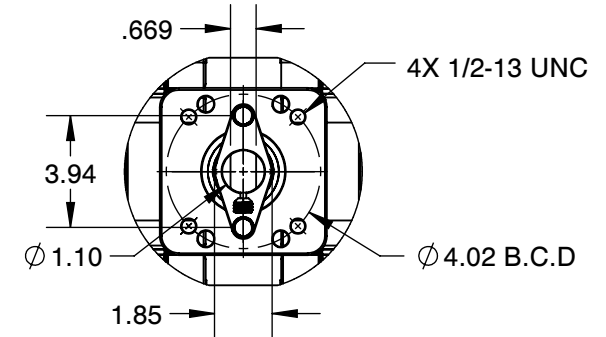
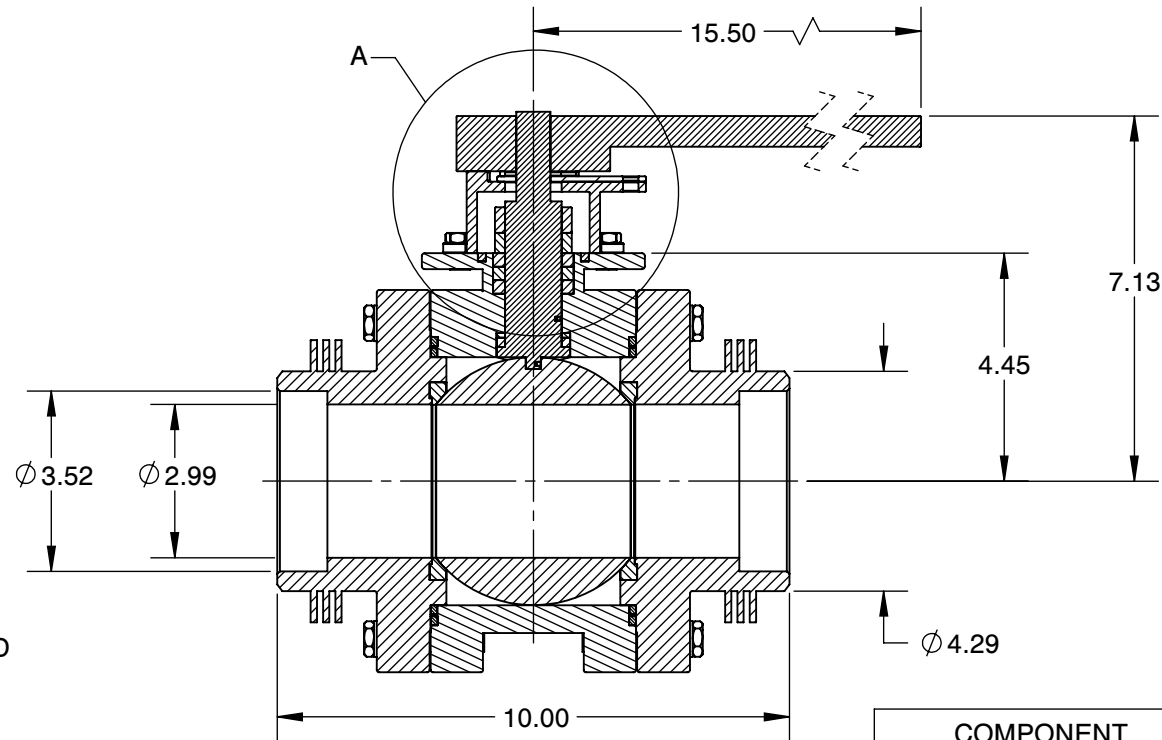


DETAIL A



MOUNTING DIMENSIONS



NOTES :

1. VALVE SIZE : 3"
2. PORT SIZE : FULL PORT
3. END CONNECTION : SOCKET WELD
4. WEIGHT : 45 LBS
5. Cv : 950



6910 West Ridge Road
 Fairview, PA 16415, USA
 Phone: (814) 474-2666
 Web: www.jareckivalves.net
 Email: sales@jareckivalves.net

THE INFORMATION CONTAINED HEREIN SHALL BE CONSIDERED THE SOLE PROPERTY OF JARECKI VALVES. THE RECIPIENT THEREOF AGREES NOT TO DISCLOSE SAID INFORMATION FOR ANY PURPOSE EXCEPT AS SPECIFIED BY JARECKI VALVES, BY WRITTEN PERMISSION.

Tolerances (Inch)
 .xx = ± .01
 .xxx = ± .005
 x° = ± 1°
 or As Note

SCALE

NTS

COMPONENT

BALL VALVES

3-WF-W2E
 2250 WOG

W SERIES
 3-Piece Ball Valves

UNIT

INCH

SIZE

A

ORDERING INFORMATION


| SIZE | - SERIES | PORT SIZE | SEAT | SEAT MATERIAL | BALL | BALL COATING | BODY | - CLASS | END CONNECTION |
|------------------|----------|---------------------|---|--|---|---|---|--|---|
| 1/2" TO 4" | W | F FULL R REDUCED | 0 NONMETAL 1 O SEAT 2 G SEAT 4 P SEAT 5 P SEAT > 750F 7 G SEAT UNI-DIRECTIONAL 1000 F MAX | C COLMONOY D DEVLON H ALLOY 25 P PEEK R CHROME CARBIDE S STELLITE T RTFE W TUNGSTEN CARBIDE | A 316SST F HASTELLOY G INCOLOY H ALLOY 20 I MONEL X 2205 SST | B BORONIZING C CHROME E ENP L COLMONOY R CHROME CARBIDE W TUNGSTEN CARBIDE | A CF8M B WCB H Alloy 20 X 2205 SST | W1 1500 WOG W2 2250 WOG/ANSI 600# W3 3000 WOG/ANSI 600# W4 4500 WOG/ANSI 900#/1500# | A THREADED B FLANGED D BUTT WELD J JIC E SOCKET WELD T TUBE S SWAGELOK C RTJ FLANGED |

Example:

| | | | | | | | | | |
|----------|------------|-----------|------------------------------------|----------------|----------|----------|----------|-------------|---------------|
| 2" | W SERIES | FULL PORT | SPRING LOADED UNIDIRECTIONAL SEATS | STELLITE SEATS | 316SS | CHROME | CF8M | 2250 WOG | THREADED ENDS |
| 2 | - W | F | 4 | S | A | C | A | - W2 | A |

Ordering Information:

When placing an order or requesting a quotation, please provide as many details on the application as possible such as media type, temperature, pressure, pipe size, etc.

| | | | | | | |
|---|--|---|--|-----|---|-------------|
|  | 6910 West Ridge Road Fairview, PA 16415, USA Phone: (814) 474-2666 Web: www.jareckivalves.net Email: sales@jareckivalves.net | THE INFORMATION CONTAINED HEREIN SHALL BE CONSIDERED THE SOLE PROPERTY OF JARECKI VALVES. THE RECIPIENT THEREOF AGREES NOT TO DISCLOSE SAID INFORMATION FOR ANY PURPOSE EXCEPT AS SPECIFIED BY JARECKI VALVES, BY WRITTEN PERMISSION. | Tolerances (Inch) .xx = ± .01 .xxx = ± .005 x° = ± 1° or As Note | | COMPONENT | BALL VALVES |
| | | | SCALE | NTS | 3-WF-W2E 2250 WOG W SERIES 3-Piece Ball Valves | UNIT |
| | | | | | | INCH |
| | | | | | | SIZE |
| | | A | | | | |