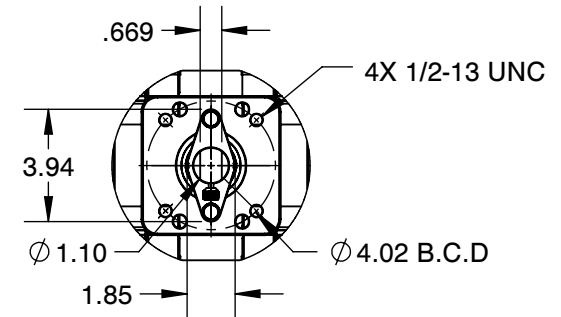
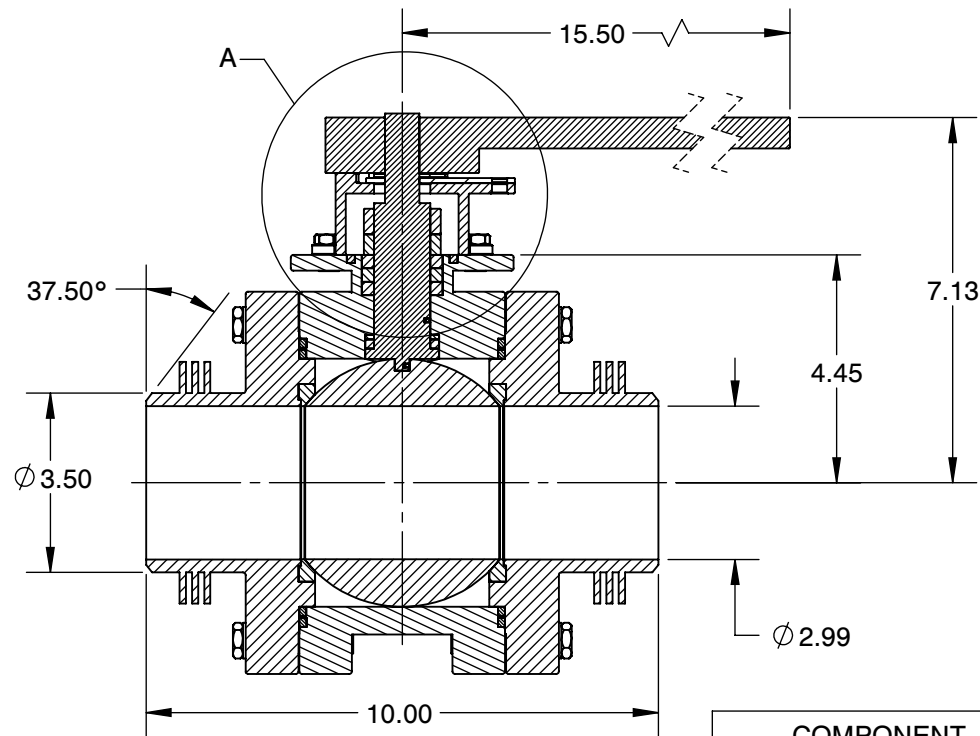


DETAIL A



MOUNTING DIMENSIONS



NOTES :

1. VALVE SIZE : 3"
2. PORT SIZE : FULL PORT
3. END CONNECTION : BUTT WELD
4. WEIGHT : 45 LBS
5. Cv : 950

COMPONENT	BALL VALVES
3-WF-W2D 2250 WOG W SERIES 3-Piece Ball Valves	UNIT
	INCH
	SIZE
	A

Tolerances (Inch)
 .xx = ± .01
 .xxx = ± .005
 x° = ± 1°
 or As Note

SCALE NTS

THE INFORMATION CONTAINED HEREIN SHALL BE CONSIDERED THE SOLE PROPERTY OF JARECKI VALVES. THE RECIPIENT THEREOF AGREES NOT TO DISCLOSE SAID INFORMATION FOR ANY PURPOSE EXCEPT AS SPECIFIED BY JARECKI VALVES, BY WRITTEN PERMISSION.



6910 West Ridge Road
 Fairview, PA 16415, USA
 Phone: (814) 474-2666
 Web: www.jareckivalves.net
 Email: sales@jareckivalves.net

ORDERING INFORMATION


SIZE	- SERIES	PORT SIZE	SEAT	SEAT MATERIAL	BALL	BALL COATING	BODY	- CLASS	END CONNECTION
1/2" TO 4"	W	F FULL R REDUCED	0 NONMETAL 1 O SEAT 2 G SEAT 4 P SEAT 5 P SEAT > 750F 7 G SEAT UNI-DIRECTIONAL 1000 F MAX	C COLMONOY D DEVLON H ALLOY 25 P PEEK R CHROME CARBIDE S STELLITE T RTFE W TUNGSTEN CARBIDE	A 316SST F HASTELLOY G INCOLOY H ALLOY 20 I MONEL X 2205 SST	B BORONIZING C CHROME E ENP L COLMONOY R CHROME CARBIDE W TUNGSTEN CARBIDE	A CF8M B WCB H Alloy 20 X 2205 SST	W1 1500 WOG W2 2250 WOG/ANSI 600# W3 3000 WOG/ANSI 600# W4 4500 WOG/ANSI 900#/1500#	A THREADED B FLANGED D BUTT WELD J JIC E SOCKET WELD T TUBE S SWAGELOK C RTJ FLANGED

Example:

2"	W SERIES	FULL PORT	SPRING LOADED UNIDIRECTIONAL SEATS	STELLITE SEATS	316SS	CHROME	CF8M	2250 WOG	THREADED ENDS
2	- W	F	4	S	A	C	A	- W2	A

Ordering Information:

When placing an order or requesting a quotation, please provide as many details on the application as possible such as media type, temperature, pressure, pipe size, etc.

	6910 West Ridge Road Fairview, PA 16415, USA Phone: (814) 474-2666 Web: www.jareckivalves.net Email: sales@jareckivalves.net	THE INFORMATION CONTAINED HEREIN SHALL BE CONSIDERED THE SOLE PROPERTY OF JARECKI VALVES. THE RECIPIENT THEREOF AGREES NOT TO DISCLOSE SAID INFORMATION FOR ANY PURPOSE EXCEPT AS SPECIFIED BY JARECKI VALVES, BY WRITTEN PERMISSION.	Tolerances (Inch) .xx = ± .01 .xxx = ± .005 x° = ± 1° or As Note		COMPONENT	BALL VALVES
			SCALE NTS		3-WF-W2D 2250 WOG W SERIES 3-Piece Ball Valves	UNIT
						INCH
						SIZE
		A				