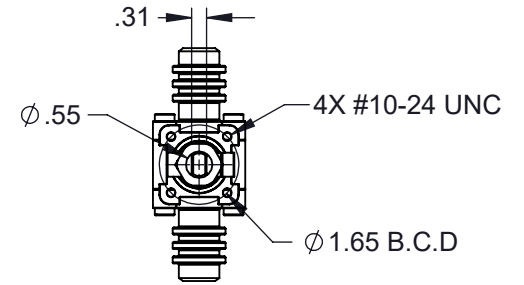
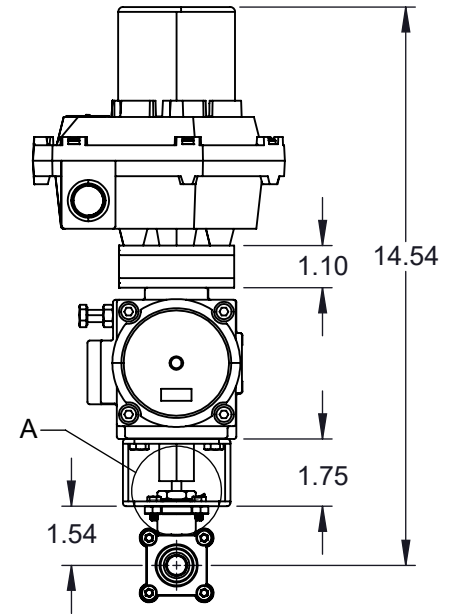
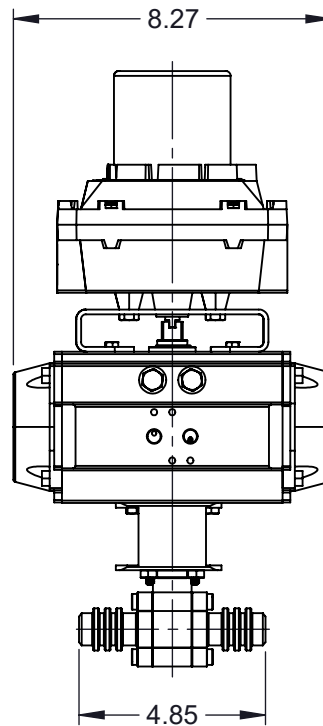


DETAIL A



MOUNTING DIMENSIONS



NOTES :

1. SIZE : 1/2"
2. PORT SIZE : REDUCED PORT
3. END CONNECTION : BUTT WELD
4. PRESSURE RANGE : 720 PSI
5. TEMPERATURE RANGE : UP TO 1000 F

| COMPONENT | ACTUATOR VALVES | |
|---|-----------------|--|
| 1/2-WR-W3D 3000 WOG W SERIES with 075 Actuator | UNIT | |
| | INCH | |
| | SIZE | |
| | A | |

Tolerances (Inch)
 .xx = ± .01
 .xxx = ± .005
 x° = ± 1°
 or As Note

SCALE NTS



6910 West Ridge Road
 Fairview, PA 16415, USA
 Phone: (814) 474-2666
 Web: www.jareckivalves.net
 Email: sales@jareckivalves.net

THE INFORMATION CONTAINED HEREIN SHALL BE CONSIDERED THE SOLE PROPERTY OF JARECKI VALVES. THE RECIPIENT THEREOF AGREES NOT TO DISCLOSE SAID INFORMATION FOR ANY PURPOSE EXCEPT AS SPECIFIED BY JARECKI VALVES, BY WRITTEN PERMISSION.

ORDERING INFORMATION


| SIZE | - SERIES | PORT SIZE | SEAT | SEAT MATERIAL | BALL | BALL COATING | BODY | - CLASS | END CONNECTION | ACTUATION |
|------------------|----------|---------------------|-------------------------------|--------------------|-------------|--------------------|------------|-----------------------------|----------------|---|
| 1/4" TO 4" | SV | F FULL R REDUCED | 0 NONMETAL | B BORONIZING | A 316SST | B BORONIZING | A CF8M | W1 1500 WOG | A THREADED | 095FC 095 ACTUATOR FAIL CLOSE 095FO 095 ACTUATOR FAIL OPEN |
| | | | 1 O SEAT | C COLMONOY | F HASTELLOY | C CHROME | B WCB | W2 2250 WOG/ANSI 600# | B FLANGED | |
| | | | 2 G SEAT | G GRAPHITE | G INCOLOY | E ENP | H Alloy 20 | W3 3000 WOG/ANSI 600# | D BUTT WELD | |
| | | | 4 P SEAT | M TANTALUM | H ALLOY 20 | L COLMONOY | X 2205 SST | W4 4500 WOG/ANSI 900#/1500# | J JIC | |
| | | | 5 P SEAT >750F | CHROME OXIDE | I MONEL | R CHROME CARBIDE | | | E SOCKET WELD | |
| | | | 6 G SEAT | P PEEK | X 2205 SST | W TUNGSTEN CARBIDE | | | T TUBE | |
| | | | UNI-DIRECTIONAL 1000 F MAX | R CHROME CARBIDE | | | | S SWAGelok | | |
| | | | | S STELLITE | | | | | C RTJ FLANGED | |
| | | | | T TFE | | | | | | |
| | | | | U UHMWPE | | | | | | |
| | | | | W TUNGSTEN CARBIDE | | | | | | |

Example:

| | | | | | | | | | | |
|----------|----------|-----------|------------------------------------|----------------|----------|----------|----------|-----------|---------------|-------------------------|
| 2" | SERIES | FULL PORT | SPRING LOADED UNIDIRECTIONAL SEATS | STELLITE SEATS | 316SS | CHROME | CF8M | 2250 WOG | THREADED ENDS | 095 ACTUATOR FAIL CLOSE |
| 2 | W | F | 4 | S | A | C | A | W2 | B | 095FC |

Ordering Information:

When placing an order or requesting a quotation, please provide as many details on the application as possible such as media type, temperature, pressure, pipe size, etc.

| | | | COMPONENT | ACTUATOR VALVES | |
|---|--|---|--------------------------------|---------------------------------------|------|
|  <p>6910 West Ridge Road Fairview, PA 16415, USA Phone: (814) 474-2666 Web: www.jareckivalves.net Email: sales@jareckivalves.net</p> | <p>THE INFORMATION CONTAINED HEREIN SHALL BE CONSIDERED THE SOLE PROPERTY OF JARECKI VALVES. THE RECIPIENT THEREIF AGREES NOT TO DISCLOSE SAID INFORMATION FOR ANY PURPOSE EXCEPT AS SPECIFIED BY JARECKI VALVES, BY WRITTEN PERMISSION.</p> | <p>Tolerances (Inch) .xx = ± .01 .xxx = ± .005 x° = ± 1° or As Note</p> | <p>1/2-WR-W3D 3000 WOG</p> | UNIT | |
| | | | | INCH | |
| | | SCALE | NTS | <p>W SERIES with 075 Actuator</p> | SIZE |
| | | | | | A |