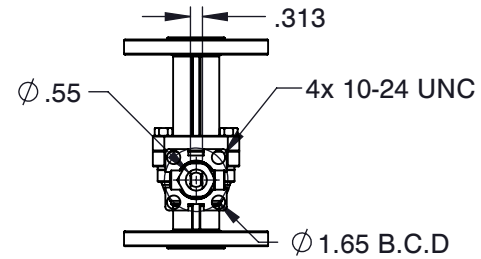


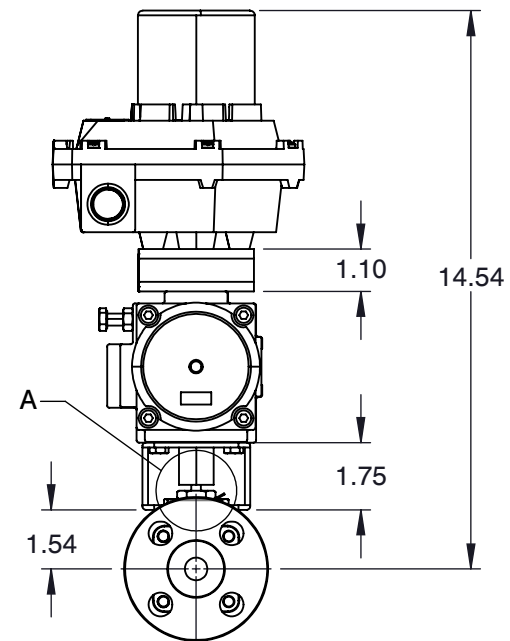
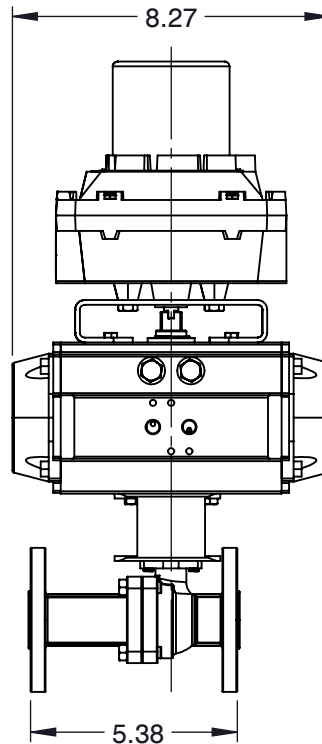
DETAIL A



MOUNTING DIMENSIONS



V PORT (V60)



NOTES:

1. VALVE SIZE : 1/2"
2. PORT SIZE : V PORT
3. CLASS : 300#
4. END CONNECTION : FLANGED
5. PRESSURE RANGE : 720 PSI
6. TEMPERATURE RANGE : UP TO 1000 F

COMPONENT		ACTUATOR VALVES	
1/2-SVF-03BV60 300# ANSI		UNIT	
		INCH	
SV SERIES with 075 Actuator		SIZE	
		A	

Tolerances (Inch)  
 .xx = ± .01  
 .xxx = ± .005  
 x° = ± 1°  
 or As Note

SCALE      NTS



6910 West Ridge Road  
 Fairview, PA 16415, USA  
 Phone: (814) 474-2666  
 Web: www.jareckivalves.net  
 Email: sales@jareckivalves.net

THE INFORMATION CONTAINED HEREIN SHALL BE CONSIDERED THE SOLE PROPERTY OF JARECKI VALVES. THE RECIPIENT THEREOF AGREES NOT TO DISCLOSE SAID INFORMATION FOR ANY PURPOSE EXCEPT AS SPECIFIED BY JARECKI VALVES, BY WRITTEN PERMISSION.

# ORDERING INFORMATION


SIZE	- SERIES	PORT SIZE	SEAT	SEAT MATERIAL	BALL	BALL COATING	BODY	- CLASS	END CONNECTION	OPTIONS	ACTUATION
1/2" TO 12"	SV	F FULL R REDUCED	0 NONMETAL	B BORONIZING	A 316SST	B BORONIZING	A CF8M	01 150# 03 300#	A THREADED	V90 90DEG V	075FC 075 ACTUATOR FAIL CLOSE  075FO 075 ACTUATOR FAIL OPEN
			1 O SEAT	C COLMONOY	F HASTELLOY	C CHROME	B WCB		B FLANGED	V60 60DEG V	
			2 G SEAT	G GRAPHITE	G INCOLOY	E ENP	H Alloy 20		D BUTT WELD	V30 30DEG V	
			4 P SEAT	M TANTALUM	H ALLOY 20	L COLMONOY	X 2205 SST		J JIC	V15 15DEG V	
			5 P SEAT	CHROME OXIDE	I MONEL	R CHROME CARBIDE			E SOCKET WELD	SL12 SLOT.125	
			>750F	P PEEK	X 2205 SST	W TUNGSTEN CARBIDE			T TUBE	SL063 SLOT.063	
			6 G SEAT	R CHROME CARBIDE					S SWAGELOK		
			UNI-DIRECTIONAL	S STELLITE					C RTJ FLANGED		
			1000 F MAX	T TFE							
				U UHMWPE							
				W TUNGSTEN CARBIDE							

Example:

2"	SERIES	FULL PORT	SPRING LOADED UNIDIRECTIONAL SEATS	STELLITE SEATS	316SS	CHROME	CF8M	2250 WOG	THREADED ENDS	095 ACTUATOR FAIL CLOSE
<b>2</b>	<b>W</b>	<b>F</b>	<b>4</b>	<b>S</b>	<b>A</b>	<b>C</b>	<b>A</b>	<b>W2</b>	<b>B</b>	<b>095FC</b>

### Ordering Information:

When placing an order or requesting a quotation, please provide as many details on the application as possible such as media type, temperature, pressure, pipe size, etc.

				COMPONENT	ACTUATOR VALVES
 <p>6910 West Ridge Road Fairview, PA 16415, USA Phone: (814) 474-2666 Web: www.jareckivalves.net Email: sales@jareckivalves.net</p>	<p>THE INFORMATION CONTAINED HEREIN SHALL BE CONSIDERED THE SOLE PROPERTY OF JARECKI VALVES. THE RECIPIENT THEREOF AGREES NOT TO DISCLOSE SAID INFORMATION FOR ANY PURPOSE EXCEPT AS SPECIFIED BY JARECKI VALVES, BY WRITTEN PERMISSION.</p>	<p>Tolerances (Inch) .xx = ± .01 .xxx = ± .005 x° = ± 1° or As Note</p>		<p>1/2-SVF-03BV60 300# ANSI</p> <p>SV SERIES with 075 Actuator</p>	UNIT
		SCALE	NTS		INCH
					SIZE
					A