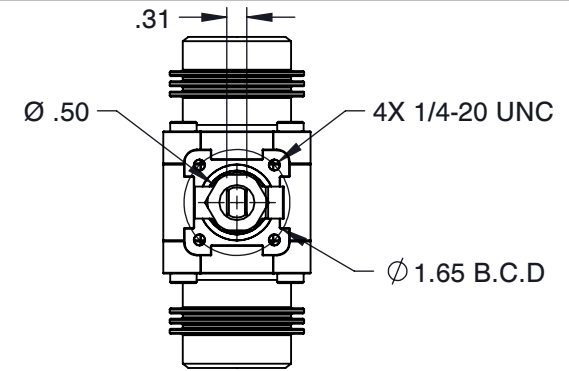
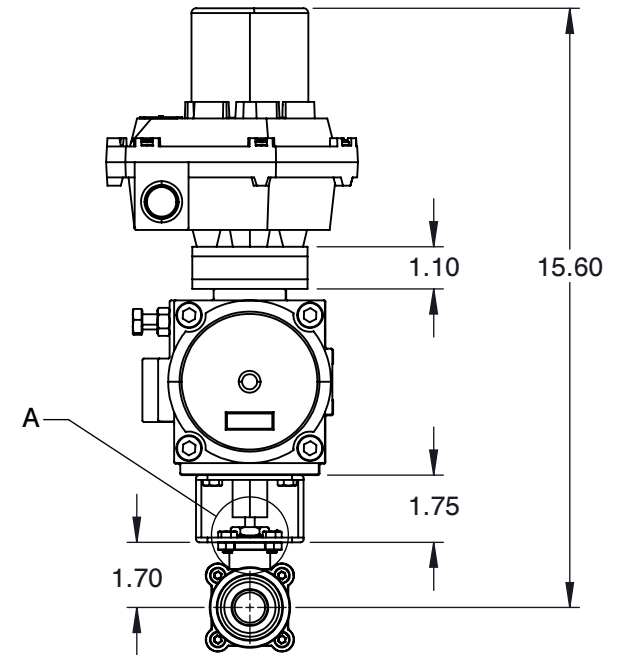
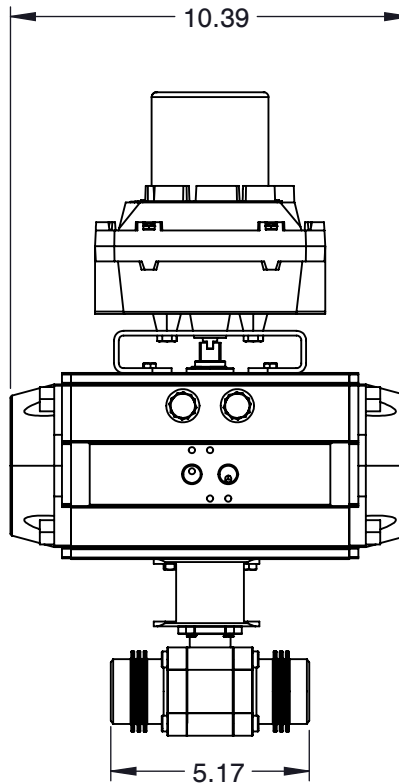


DETAIL A



MOUNTING DIMENSION



NOTES :

1. VALVE SIZE : 1"
2. PORT SIZE : REDUCED PORT
3. END CONNECTION : SOCKET WELD
4. PRESSURE RANGE : 275 PSI
5. TEMPERATURE RANGE : UP TO 1000 F

COMPONENT	ACTUATOR VALVES
1-WR-W3E 3000 WOG W SERIES with 095 Actuator	UNIT
	INCH
	SIZE
	A



6910 West Ridge Road
Fairview, PA 16415, USA
Phone: (814) 474-2666
Web: www.jareckivalves.net
Email: sales@jareckivalves.net

THE INFORMATION CONTAINED HEREIN SHALL BE CONSIDERED THE SOLE PROPERTY OF JARECKI VALVES. THE RECIPIENT THEREOF AGREES NOT TO DISCLOSE SAID INFORMATION FOR ANY PURPOSE EXCEPT AS SPECIFIED BY JARECKI VALVES, BY WRITTEN PERMISSION.

Tolerances (Inch)
.xx = ± .01
.xxx = ± .005
x° = ± 1°
or As Note

SCALE NTS

ORDERING INFORMATION


SIZE	- SERIES	PORT SIZE	SEAT	SEAT MATERIAL	BALL	BALL COATING	BODY	- CLASS	END CONNECTION	ACTUATION
1/4" TO 4"	SV	F FULL	0 NONMETAL	C COLMONOY	A 316SST	B BORONIZING	A CF8M	W1 1500 WOG	A THREADED	095FC 095 ACTUATOR FAIL CLOSE 095FO 095 ACTUATOR FAIL OPEN
		R REDUCED	1 O SEAT	D DEVLON	F HASTELLOY	C CHROME	B WCB	W2 2250 WOG/ANSI 600#	B FLANGED	
			2 G SEAT	H ALLOY 25	G INCOLOY	E ENP	H Alloy 20	W3 3000 WOG/ANSI 600#	D BUTT WELD	
			4 P SEAT	P PEEK	H ALLOY 20	L COLMONOY	X 2205 SST	W4 4500 WOG/ANSI 900#/1500#	J JIC	
			5 P SEAT >750F	R CHROME CARBIDE	I MONEL	R CHROME CARBIDE			E SOCKET WELD	
			6 G SEAT UNI-DIRECTIONAL 1000 F MAX	S STELLITE	X 2205 SST	W TUNGSTEN CARBIDE			T TUBE S SWAGelok C RTJ FLANGED	

Example:

2"	SERIES	FULL PORT	SPRING LOADED UNIDIRECTIONAL SEATS	STELLITE SEATS	316SS	CHROME	CF8M	3000 WOG	THREADED ENDS	095 ACTUATOR FAIL CLOSE
2	W	F	4	S	A	C	A	W2	A	095FC

Ordering Information:

When placing an order or requesting a quotation, please provide as many details on the application as possible such as media type, temperature, pressure, pipe size, etc.

		COMPONENT	ACTUATOR VALVES		
 <p>6910 West Ridge Road Fairview, PA 16415, USA Phone: (814) 474-2666 Web: www.jareckivalves.net Email: sales@jareckivalves.net</p>	<p>THE INFORMATION CONTAINED HEREIN SHALL BE CONSIDERED THE SOLE PROPERTY OF JARECKI VALVES. THE RECIPIENT THEREOF AGREES NOT TO DISCLOSE SAID INFORMATION FOR ANY PURPOSE EXCEPT AS SPECIFIED BY JARECKI VALVES, BY WRITTEN PERMISSION.</p>	<p>Tolerances (Inch) .xx = ± .01 .xxx = ± .005 x° = ± 1° or As Note</p>	<p>1-WR-W3E 3000 WOG</p>	UNIT	
			SCALE	NTS	INCH
				W SERIES with 095 Actuator	SIZE
					A