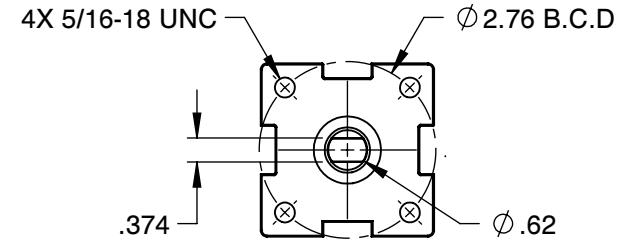
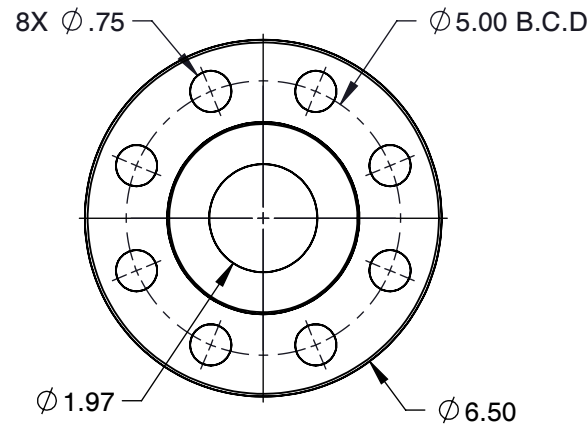


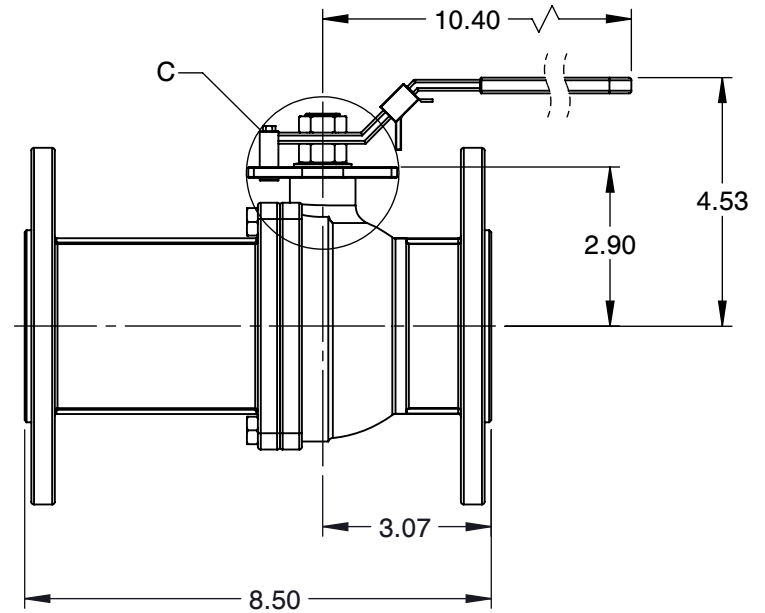
DETAIL C



MOUNTING DIMENSIONS



FLANGE DETAILS



NOTES :

1. VALVE SIZE : 2"
2. PORT SIZE : FULL PORT
3. CLASS : 300#
4. END CONNECTION : FLANGED
5. WEIGHT : 25 LBS
6. Cv : 430
7. PRESSURE RANGE : 720 PSI
8. TEMPERATURE RANGE : UP TO 1000°F



6910 West Ridge Road
 Fairview, PA 16415, USA
 Phone: (814) 474-2666
 Web: www.jareckivalves.net
 Email: sales@jareckivalves.net

THE INFORMATION CONTAINED HEREIN SHALL BE CONSIDERED THE SOLE PROPERTY OF JARECKI VALVES. THE RECIPIENT THEREOF AGREES NOT TO DISCLOSE SAID INFORMATION FOR ANY PURPOSE EXCEPT AS SPECIFIED BY JARECKI VALVES, BY WRITTEN PERMISSION.

Tolerances (Inch)
 .xx = ± .01
 .xxx = ± .005
 x° = ± 1°
 or As Note

SCALE NTS

| COMPONENT | | BALL VALVES | |
|----------------------------------|--|-------------|--|
| 2-SVF-03B 300# ANSI | | UNIT | |
| | | INCH | |
| SV SERIES 2-Piece Ball Valves | | SIZE | |
| | | A | |

ORDERING INFORMATION


| SIZE | - SERIES | PORT SIZE | SEAT | SEAT MATERIAL | BALL | BALL COATING | BODY | - CLASS | END CONNECTION | OPTIONS |
|-------------------|----------|---------------------|--|---|---|--|---|--------------------|--------------------------|---|
| 1/2" TO 12" | SV | F FULL R REDUCED | 0 NONMETAL 1 O SEAT 2 G SEAT 4 P SEAT 5 P SEAT > 750F | B BORONIZING C COLMONOY G GRAPHITE M TANTALUM CHROME OXIDE P PEEK R CHROME CARBIDE S STELLITE T TFE U UHMWPE W TUNGSTEN CARBIDE | A 316SST F HASTELLOY G INCOLOY H ALLOY 20 I MONEL X 2205 SST | B BORONIZING C CHROME E ENP M TANTALUM CHROME OXIDE L COLMONOY R CHROME CARBIDE S STELLITE T TFE W TUNGSTEN CARBIDE O NO COATING | A CF8M B WCB H Alloy 20 X 2205 SST | 01 150# 03 300# | B FLANGED D BUTT WELD | V90 90DEG V V60 60DEG V V30 30DEG V V15 15DEG V SL12 SLOT.125 SL063 SLOT.063 |

Example:

| | | | | | | | | | |
|----------|------------|-----------|------------------------------------|----------------|----------|----------|----------|------------|------------|
| 2" | SV SERIES | FULL PORT | SPRING LOADED UNIDIRECTIONAL SEATS | STELLITE SEATS | 316SS | CHROME | CF8M | 150# | FLANGED RF |
| 2 | -SV | F | 4 | S | A | C | A | -01 | B |

Ordering Information:

When placing an order or requesting a quotation, please provide as many details on the application as possible such as media type, temperature, pressure, pipe size, etc.

| | | | | COMPONENT | BALL VALVES |
|---|--|---|--|--|-------------|
|  | 6910 West Ridge Road Fairview, PA 16415, USA Phone: (814) 474-2666 Web: www.jareckivalves.net Email: sales@jareckivalves.net | THE INFORMATION CONTAINED HEREIN SHALL BE CONSIDERED THE SOLE PROPERTY OF JARECKI VALVES. THE RECIPIENT THEREOF AGREES NOT TO DISCLOSE SAID INFORMATION FOR ANY PURPOSE EXCEPT AS SPECIFIED BY JARECKI VALVES, BY WRITTEN PERMISSION. | Tolerances (Inch) .xx = ± .01 .xxx = ± .005 x° = ± 1° or As Note | 2-SVF-03B 300# ANSI SV SERIES 2-Piece Ball Valves | UNIT |
| | | | | | INCH |
| | | | SIZE | | |
| | | | A | | |
| | | | SCALE | NTS | |