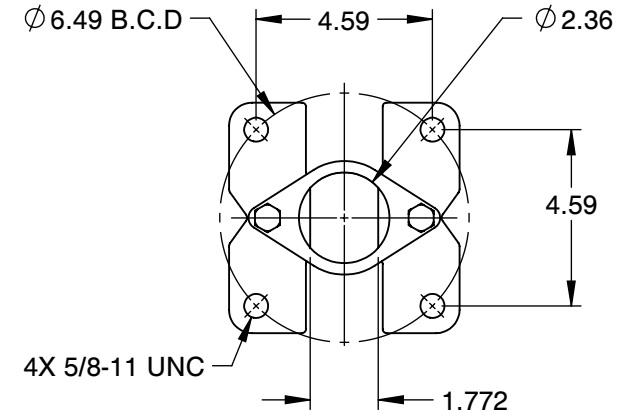
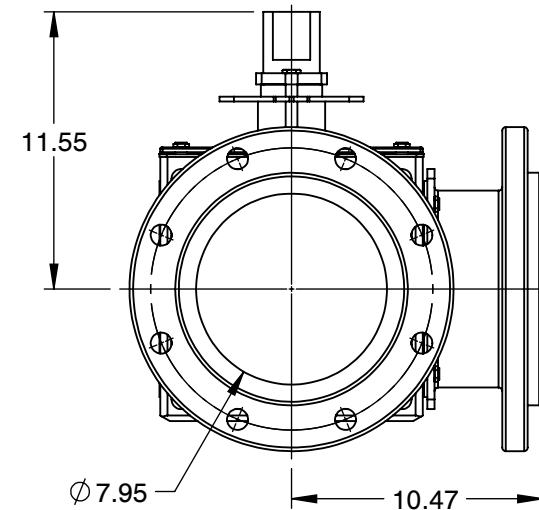
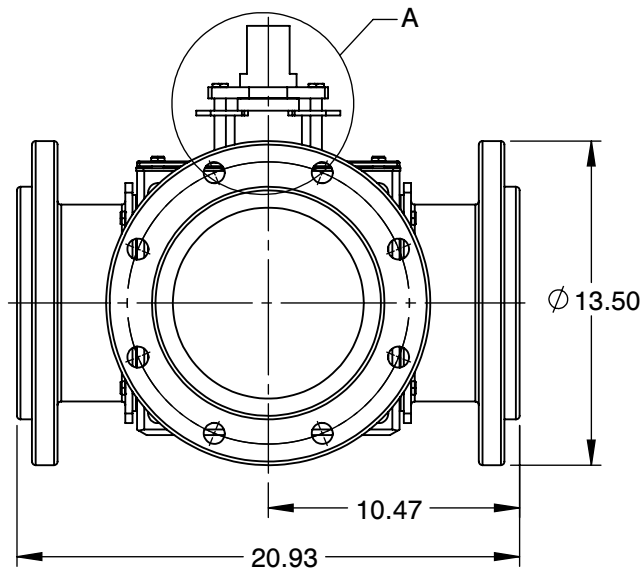


DETAIL A



MOUNTING DIMENSIONS



NOTES :

1. SIZE : 8"
2. PORT SIZE : FULL PORT
3. END CONNECTION : RF-FLANGED
4. PRESSURE RANGE : 740 PSI
5. TEMPERATURE RANGE : MAX UP TO 1000°F



6910 West Ridge Road
 Fairview, PA 16415, USA
 Phone: (814) 474-2666
 Web: www.jareckivalves.net
 Email: sales@jareckivalves.net

THE INFORMATION CONTAINED HEREIN SHALL BE CONSIDERED THE SOLE PROPERTY OF JARECKI VALVES. THE RECIPIENT THEREOF AGREES NOT TO DISCLOSE SAID INFORMATION FOR ANY PURPOSE EXCEPT AS SPECIFIED BY JARECKI VALVES, BY WRITTEN PERMISSION.

Tolerances (Inch)
 .xx = ± .01
 .xxx = ± .005
 x° = ± 1°
 or As Note

SCALE NTS

| COMPONENT | BALL VALVES |
|--|-------------|
| 8-MDVF-01B 150# ANSI MDV SERIES 3-Way Ball Valves | UNIT |
| | INCH |
| | SIZE |
| | A |

ORDERING INFORMATION


| SIZE | - SERIES | PORT SIZE | SEAT | SEAT MATERIAL | BALL | BALL COATING | BODY | - CLASS | END CONNECTION | END CONNECTION |
|-------------------|--------------------|---------------------|--------------------|------------------|-------------|------------------|-------------|----------|----------------|----------------|
| 3/4" TO 12" | MDV | F FULL R REDUCED | 0 NONMETAL | B BORONIZING | A 316SST | B BORONIZING | A 316SST | 01 150# | A NPT | F1 FLOW PLAN 1 |
| | | | 1 O SEAT | C COLMONOY | B A105 | C CHROME | B A105 | 03 300# | B FLANGED | F2 FLOW PLAN 2 |
| | | | 2 G SEAT | G GRAPHITE | C F-22 | E ENP | C F-22 | 06 600# | C RTJ FLANGED | F3 FLOW PLAN 3 |
| | | | 4 P SEAT | M TANTALUM | D INCONEL | M TANTALUM | D INCONEL | 09 900# | D BUTT WELD | F4 FLOW PLAN 4 |
| | | | 5 P SEAT | CHROME OXIDE | E 304SST | CHROME OXIDE | E 304SST | 15 1500# | E SOCKET WELD | F5 FLOW PLAN 5 |
| | | | 750F TO 1000F | P PEEK | F HASTELLOY | L COLMONOY | F HASTELLOY | 25 2500# | | F6 FLOW PLAN 6 |
| | | | 6 G SEAL | R CHROME CARBIDE | G INCOLOY | R CHROME CARBIDE | G INCOLOY | | | F7 FLOW PLAN 7 |
| | | | <1300 deg F | S STELLITE | H ALLOY 20 | S STELLITE | H ALLOY 20 | | | F8 FLOW PLAN 8 |
| | | | UNI-DIRECTIONAL | T TFE | I MONEL | T TFE | I MONEL | | | F9 FLOW PLAN 9 |
| 7 G SEAL | U UHMWPE | J 316H | W TUNGSTEN CARBIDE | J 316H | | | | | | |
| UNI-DIRECTIONAL | W TUNGSTEN CARBIDE | L 316L | O NO COATING | L 316L | | | | | | |
| 8 G SEAL | | N Ni-AI-BRONZE | | N Ni-AI-BRONZE | | | | | | |
| <1500 deg F | | R F-91 | | R F-91 | | | | | | |
| UNI-DIRECTIONAL | | T TITANIUM | | T TITANIUM | | | | | | |
| 9 P SEAT | | X DUPLEX | | X DUPLEX | | | | | | |
| OD O-RING | | | | | | | | | | |

Example:

| | | | | | | | | | |
|----------|-------------|-----------|------------|-----------------------------|----------|----------|----------|------------|------------|
| 2" | MDV SERIES | FULL PORT | RTFE SEATS | 316SST BALL WITH NO PLATING | 316SST | CHROME | 316SST | 150# | FLANGED RF |
| 2 | -MDV | F | O | T | A | C | A | -01 | B |

Ordering Information:

When placing an order or requesting a quotation, please provide as many details on the application as possible such as media type, temperature, pressure, pipe size, etc.

| | | | | COMPONENT | BALL VALVES |
|---|--|---|-----|---|-------------|
|  <p>6910 West Ridge Road Fairview, PA 16415, USA Phone: (814) 474-2666 Web: www.jareckivalves.net Email: sales@jareckivalves.net</p> | <p>THE INFORMATION CONTAINED HEREIN SHALL BE CONSIDERED THE SOLE PROPERTY OF JARECKI VALVES. THE RECIPIENT THEREOF AGREES NOT TO DISCLOSE SAID INFORMATION FOR ANY PURPOSE EXCEPT AS SPECIFIED BY JARECKI VALVES, BY WRITTEN PERMISSION.</p> | <p>Tolerances (Inch) .xx = ± .01 .xxx = ± .005 x° = ± 1° or As Note</p> | | <p>8-MDVF-01B 150# ANSI</p> <p>MDV SERIES 3-Way Ball Valves</p> | UNIT |
| | | SCALE | NTS | | INCH |
| | | | | | SIZE |
| | | | | | A |