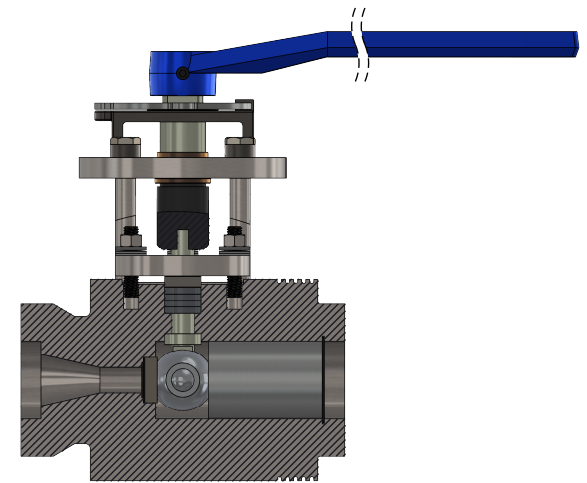
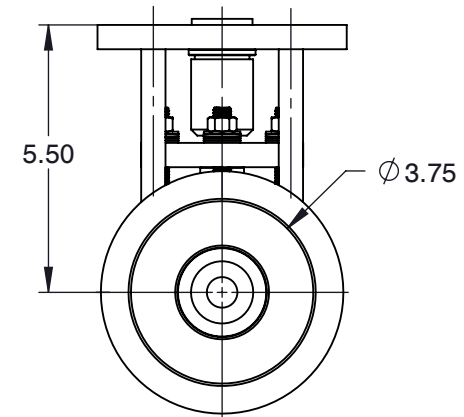
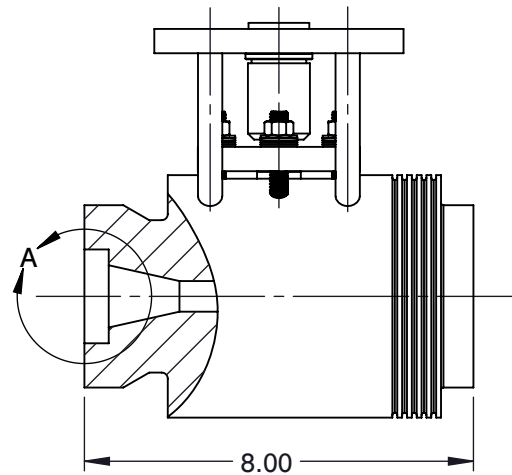


DETAIL A



SECTION VIEW



**NOTES :**

1. SIZE : 1-1/2"
2. BALL BORE DIAMETER : 0.63"
3. CLASS : 4500#
4. END CONNECTION : SOCKET WELD
5. WEIGHT : 32 LBS
6. Cv : 10
7. PRESSURE RANGE : 6500 PSI
8. TEMPERATURE RANGE : UP TO 1200°F



6910 West Ridge Road  
 Fairview, PA 16415, USA  
 Phone: (814) 474-2666  
 Web: www.jareckivalves.net  
 Email: sales@jareckivalves.net

THE INFORMATION CONTAINED HEREIN SHALL BE CONSIDERED THE SOLE PROPERTY OF JARECKI VALVES. THE RECIPIENT THEREOF AGREES NOT TO DISCLOSE SAID INFORMATION FOR ANY PURPOSE EXCEPT AS SPECIFIED BY JARECKI VALVES, BY WRITTEN PERMISSION.

Tolerances (Inch)  
 .xx = ± .01  
 .xxx = ± .005  
 x° = ± 1°  
 or As Note

SCALE

NTS

| COMPONENT  | BALL VALVES |
|--|-------------|
| 1-1/2"-HTV-0.63-4SW<br>4500# ANSI<br><br>HTV SERIES<br>1-Piece Ball Valves | UNIT        |
|  | INCH        |
|  | SIZE        |
|  | A           |

# ORDERING INFORMATION


| SIZE             | - SERIES | BODY   | VALVE TRIM | BALL SIZE           | - CLASS | OPTIONS            | ACTUATION            | SOLENOID     | LIMIT SWITCH    | END CONNECTION |
|------------------|----------|--------|------------|---------------------|---------|--------------------|----------------------|--------------|-----------------|----------------|
| 1/2"<br>TO<br>4" | HTV      | B A105 | C 410 SST  | 0.50 .50" BALL BORE | 06 600# | 0 NO OPTION        | L LEVER              | 0 NO OPTION  | 0 NO OPTION     | SW SOCKET WELD |
|                  |          | C F-22 | P 17-4 SST | 0.63 .63" BALL BORE | 09 900# | 29 EXTENDED BONNET | DT8 DYNATORQUE DT8   | S7AC 120 VAC | L1 MONITEUR     | BW BUTT WELD   |
|                  |          | J 316H | R INCONEL  | 0.88 .88" BALL BORE | 1 1500# |                    | DT12 DYNATORQUE DT12 | S7DC 24 VDC  | SA STONEL AXIOM |                |
|                  |          | R F-91 |            | 1.00 1.0" BALL BORE | 2 2500# |                    | DT21 DYNATORQUE DT21 |              |                 |                |
|                  |          | 1 F-11 |            | 1.20 1.2" BALL BORE | 3 3200# |                    | 125FC V-TORK 125     |              |                 |                |
|                  |          |        |            | 1.30 1.3" BALL BORE | 4 4500# |                    | 140FC V-TORK 140     |              |                 |                |
|                  |          |        |            | 1.50 1.5" BALL BORE |         |                    | 160FC V-TORK 160     |              |                 |                |
|                  |          |        |            |                     |         |                    | 190FC V-TORK 190     |              |                 |                |
|                  |          |        |            |                     |         |                    | 210FC V-TORK 210     |              |                 |                |
|                  |          |        |            |                     |         |                    | 240FC V-TORK 240     |              |                 |                |
|                  |          |        |            |                     |         |                    | 270FC V-TORK 270     |              |                 |                |

Example:

|          |             |          |                                   |                |           |           |          |           |                       |           |
|----------|-------------|----------|-----------------------------------|----------------|-----------|-----------|----------|-----------|-----------------------|-----------|
| 2"       | HTV SERIES  | A105     | 17-4 SST WITH CHROME CARBIDE COAT | .88" BALL BORE | 1500#     | NO OPTION | LEVER    | NO OPTION | MONITEUR LIMIT SWITCH | BUTT WELD |
| <b>2</b> | <b>-HTV</b> | <b>B</b> | <b>P</b>                          | <b>0.88</b>    | <b>-1</b> | <b>0</b>  | <b>L</b> | <b>0</b>  | <b>L1</b>             | <b>BW</b> |

### Ordering Information:

When placing an order or requesting a quotation, please provide as many details on the application as possible such as media type, temperature, pressure, pipe size, etc.

|   |  |   |     | COMPONENT   | BALL VALVES |
|---|--|---|-----|---|-------------|
|  <p>6910 West Ridge Road<br/>Fairview, PA 16415, USA<br/>Phone: (814) 474-2666<br/>Web: www.jareckivalves.net<br/>Email: sales@jareckivalves.net</p> | <p>THE INFORMATION CONTAINED HEREIN SHALL BE CONSIDERED THE SOLE PROPERTY OF JARECKI VALVES. THE RECIPIENT THEREIF AGREES NOT TO DISCLOSE SAID INFORMATION FOR ANY PURPOSE EXCEPT AS SPECIFIED BY JARECKI VALVES, BY WRITTEN PERMISSION.</p> | <p>Tolerances (Inch)<br/>.xx = ± .01<br/>.xxx = ± .005<br/>x° = ± 1°<br/>or As Note</p> |     | <p>1-1/2"-HTV-0.63-4SW<br/>4500# ANSI</p> <p>HTV SERIES<br/>1-Piece Ball Valves</p> | UNIT        |
|   |  | SCALE   | NTS |   | INCH        |
|   |  |   |     |   | SIZE        |
|   |  |   |     |   | A           |